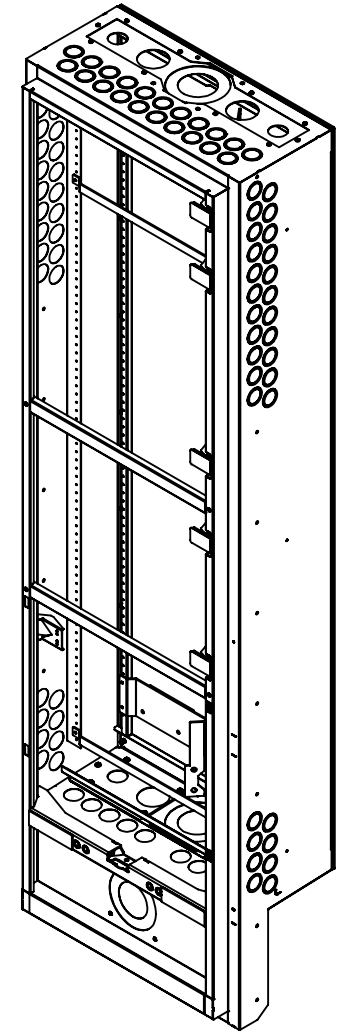
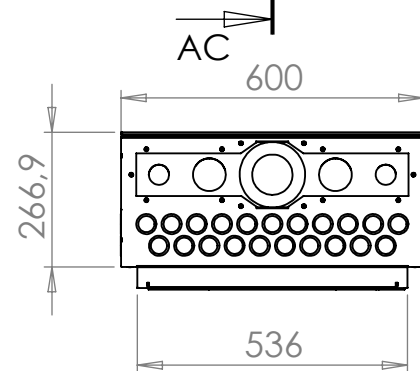
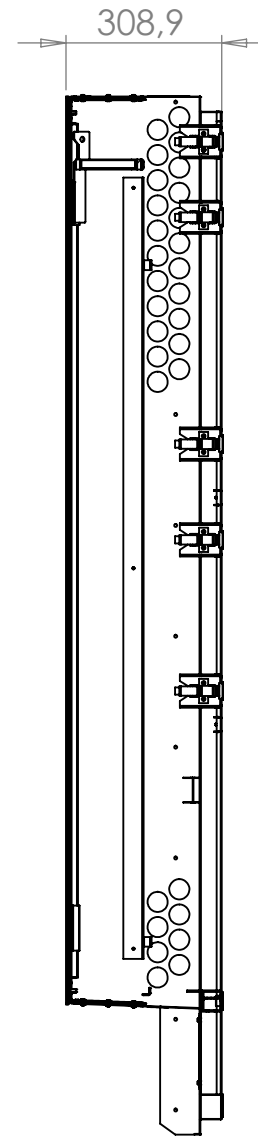
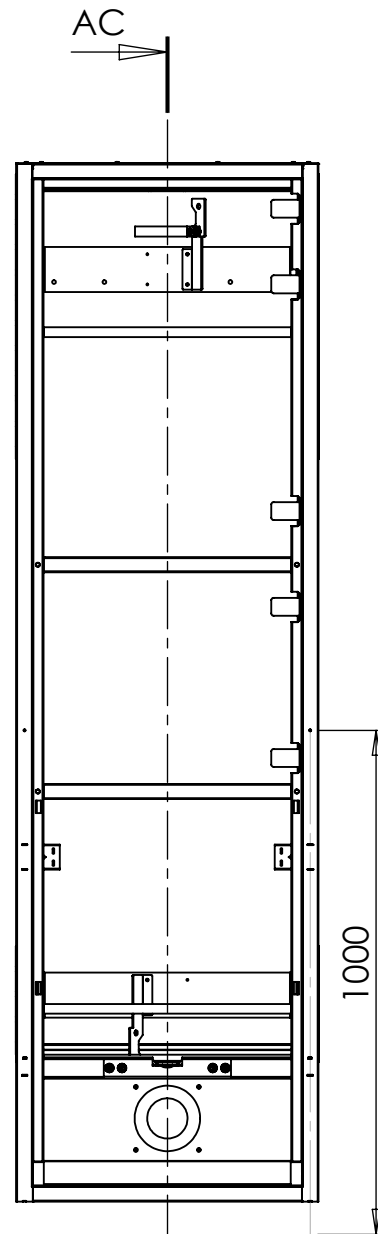
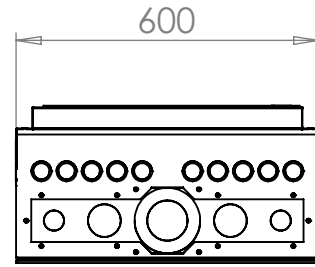
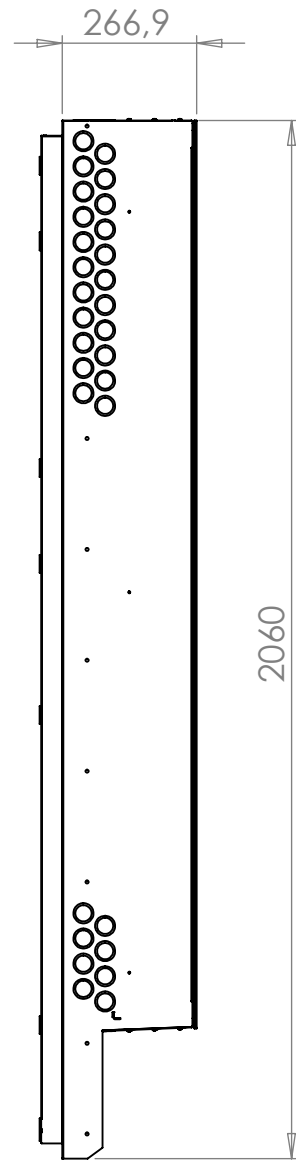


# UNOPAX 300 SHAFT



SECTION AC-AC

<small>UNLESS OTHERWISE SPECIFIED: DIMENSIONS ARE IN MILLIMETERS TOLERANCES: EN/ISO 2768-1M EN/ISO 2768-2K</small>						DO NOT SCALE DRAWING	
						REMARKS:	
				TITLE:		MAXI 300	
DRAWN				DATE		DWG NO:	
				2020-11-23		UNO-060-006	
CHK'D						A3	
APPV'D						REVISION: A	
MFG						SCALE: 1:15	
QA						SHEET 2 OF 3	