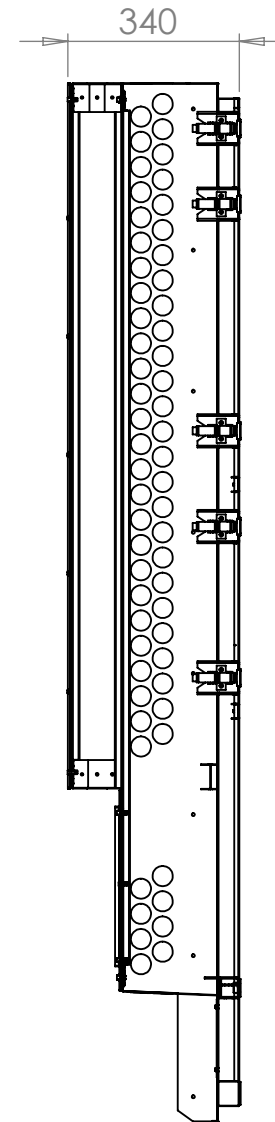
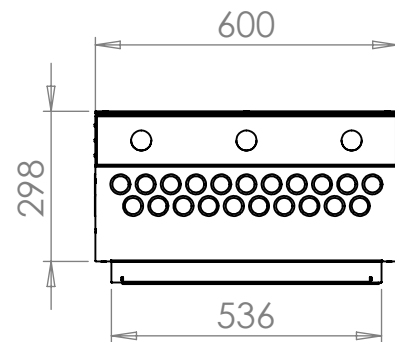
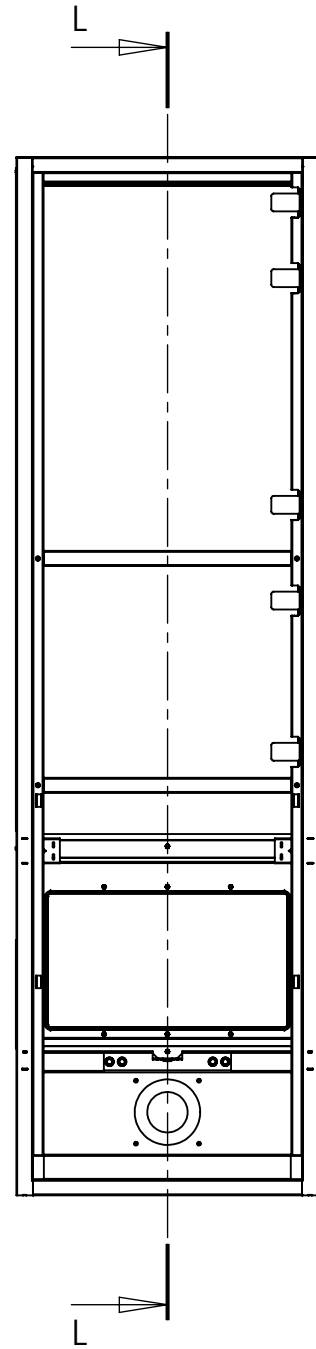
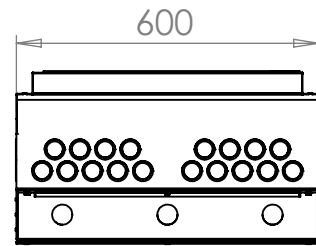
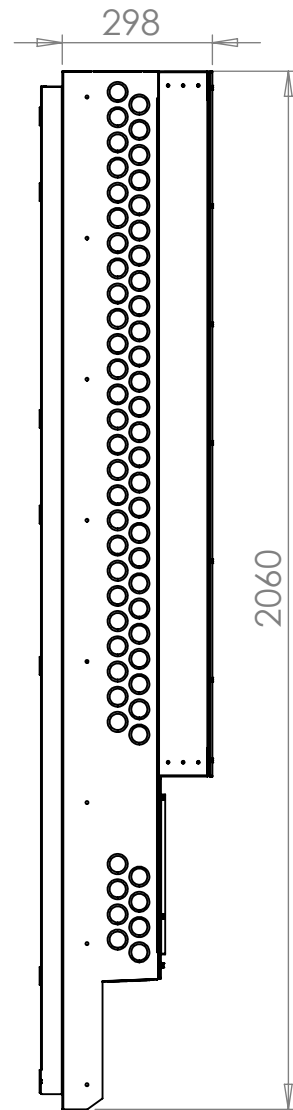
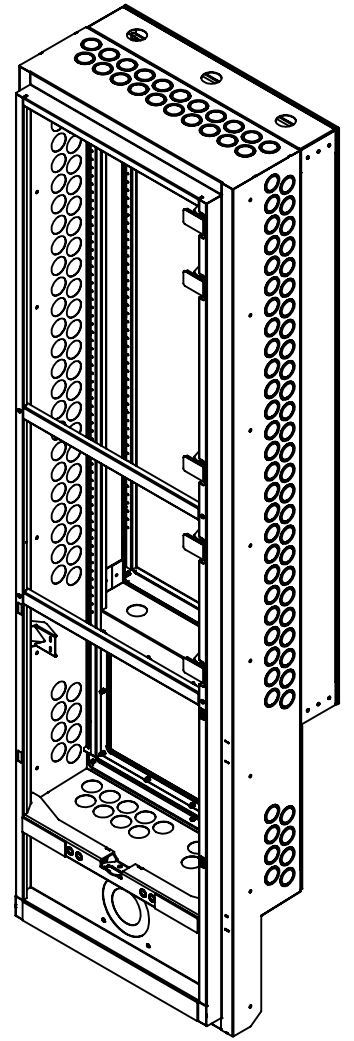


UNOPAX MAXI BACKPACK

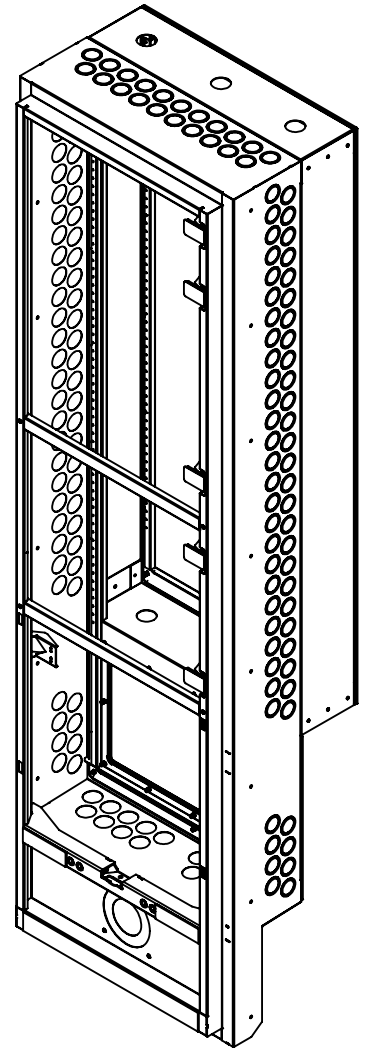
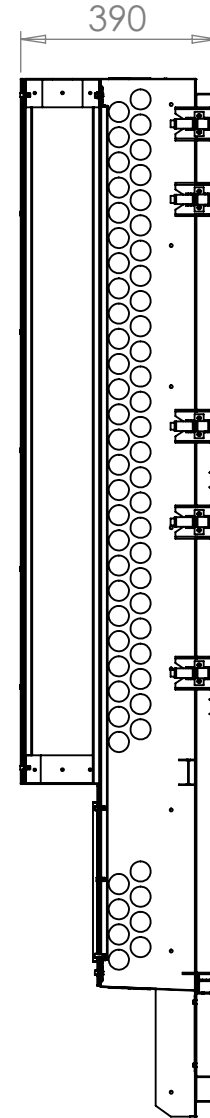
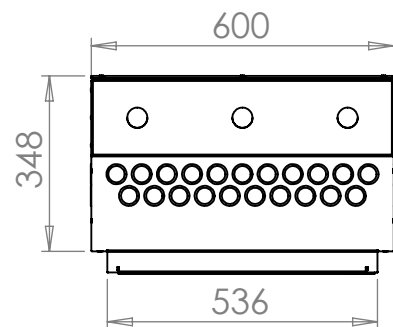
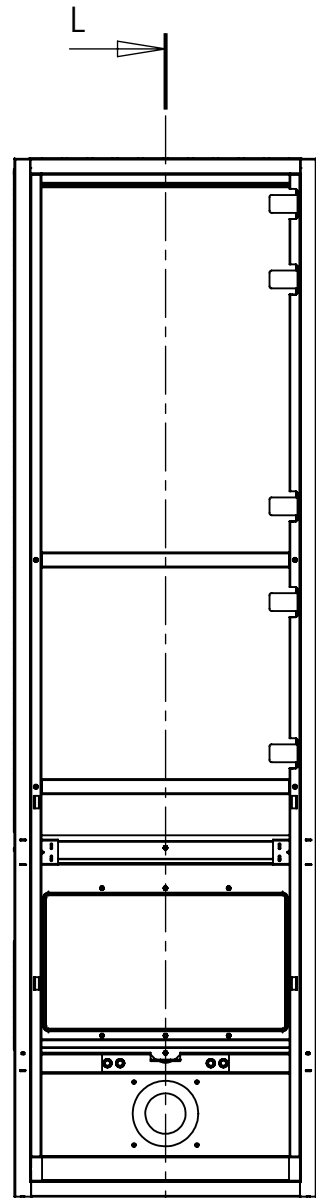
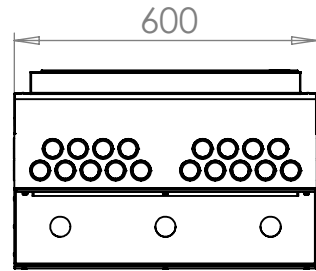
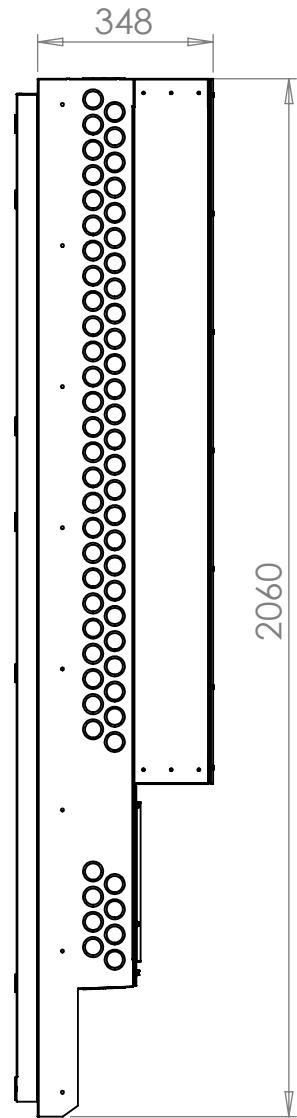


SECTION L-L




UNLESS OTHERWISE SPECIFIED: DIMENSIONS ARE IN MILLIMETERS TOLERANCES: EN/ISO 2768-1M EN/ISO 2768-2K				UNOPAX		DO NOT SCALE DRAWING	
						REMARKS:	
						TITLE: LS MAXI BACK PACK	
DRAWN				DATE 2021-01-19		DWG NO: 400819-100	
CHK'D				MATERIAL:		A3	
APPV'D						REVISION: -	
MFG						SCALE: 1:15	
QA						SHEET 2 OF 2	

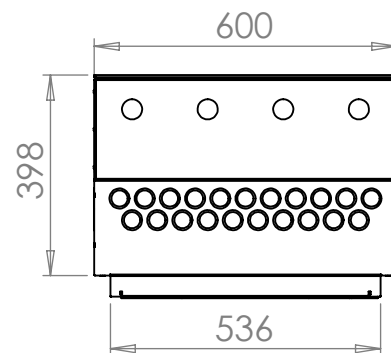
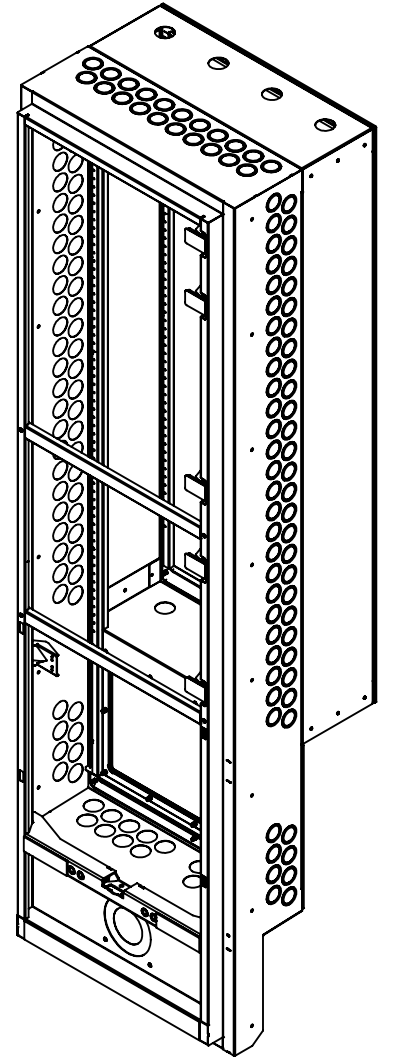
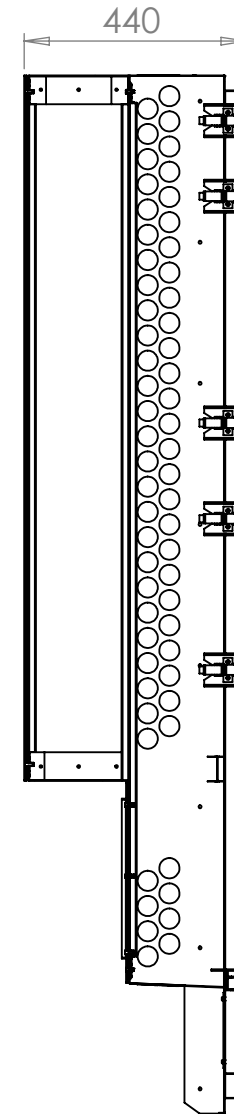
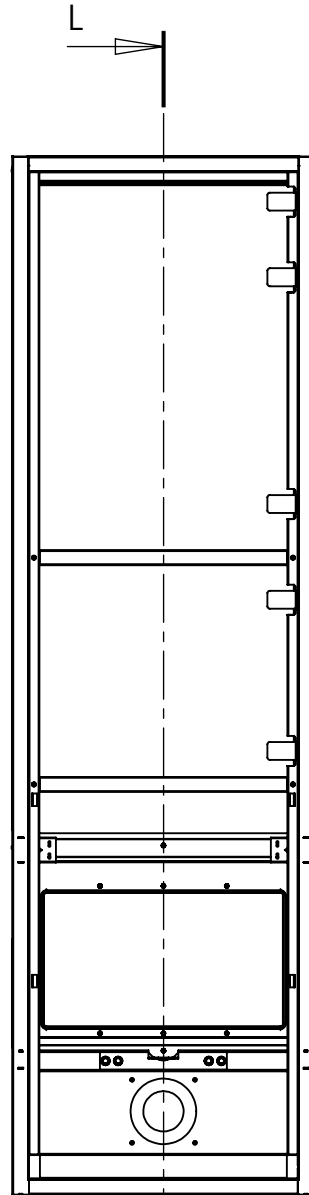
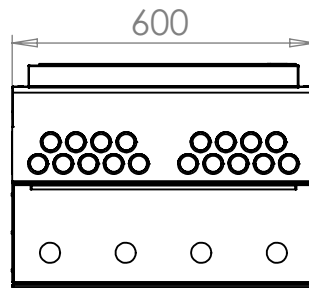
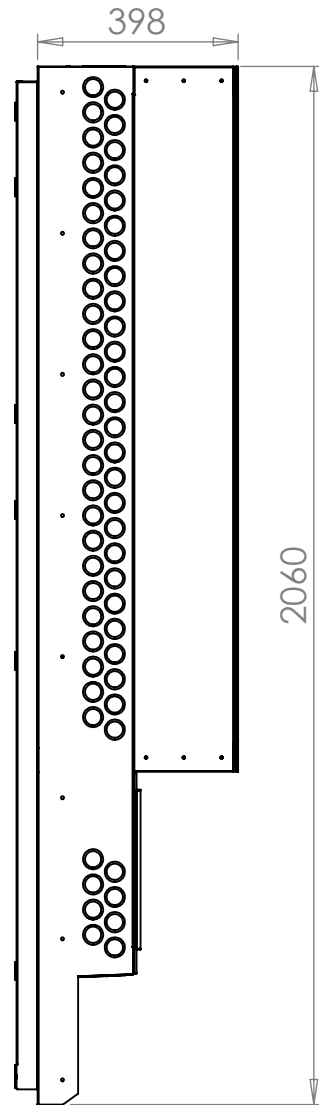
UNOPAX MAXI BACKPACK



SECTION L-L

<small>UNLESS OTHERWISE SPECIFIED: DIMENSIONS ARE IN MILLIMETERS TOLERANCES: EN/ISO 2768-1M EN/ISO 2768-2K</small>						DO NOT SCALE DRAWING	
						REMARKS:	
				TITLE:		LS MAXI BACK PACK	
DRAWN				DATE		DWG NO:	
				2021-01-19		400819-150	
CHK'D						A3	
APPV'D						REVISION: -	
MFG						SCALE: 1:15	
QA						SHEET 2 OF 2	

UNOPAX MAXI BACKPACK



SECTION L-L

UNLESS OTHERWISE SPECIFIED: DIMENSIONS ARE IN MILLIMETERS TOLERANCES: EN/ISO 2768-1M EN/ISO 2768-2K				UNOPAX		DO NOT SCALE DRAWING	
				REMARKS:			
				TITLE: LS MAXI BACK PACK			
DRAWN				DATE 2021-01-19		DWG NO: 400819-4	
CHK'D				MATERIAL:		A3	
APPV'D							
MFG				REVISION: -			
QA				SCALE: 1:15		SHEET 2 OF 2	