

UNOPAX®
Shortcut to Excellence



Shortcut to excellence

We deliver the entire home's water and heating system, gathered in one technical, waterproof cabinet in the bathroom. News! Now also with shaft solution.

UNOPAX is a series of distribution cabinets that combine the built-in cistern for the toilet with the entire water and heat distribution to the home in a waterproof cabinet solution. Our new shaft model includes a solution for the plumbing stack that contributes to further innovation and efficiency in the construction projects. Our distribution cabinets simplify the installation and installation of plumbing in homes, while at the same time being an aesthetic design element in the bathroom. UNOPAX distribution cabinets can be mounted together with all wallmounted toilets.

We at UNOPAX are aware of our responsibility for the society and mutual environment. As part of this, we work continuously and strategically with subcontractors who are environmentally or quality certified.

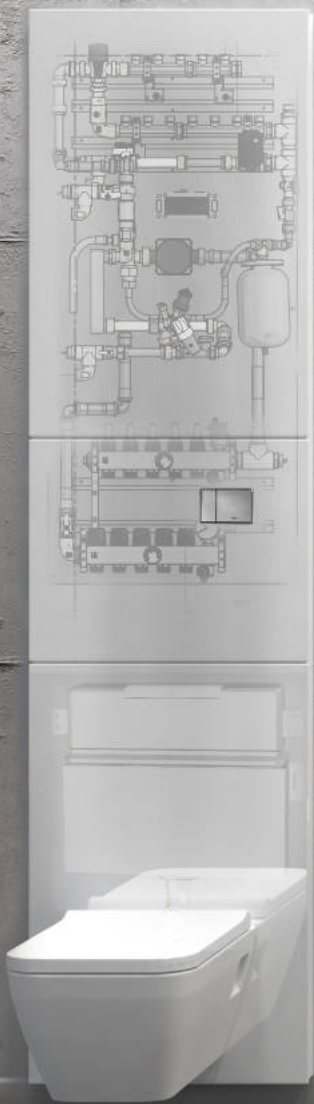
More about SINTEF tests on our website.

UNOPAX[®]
Shortcut to Excellence

UNOPAX BENEFITS

- Technical system assembled in a water proof cabinet solution in one place. Water and technology in one and the same cabinet
- Full access to the cistern after assembly, easy to replace parts
- Spacious cabinet for technology, easy access to valves and equipment
- Very simple membrane sealing
- Knockouts that can be handled from both the outside and inside of the cabinet
- Frame that is easy to lay tiles next to
- Fits most pipe systems regardless of supplier
- Fits most toilets, regardless of supplier
- Possibility of future toilet solutions, e.g. bidet/toilet and odorless system. Optional power rail
- Easy and efficient installation
- Water damage protected and SINTEF tested
- Cistern, push button etc. are included. See Installation guide

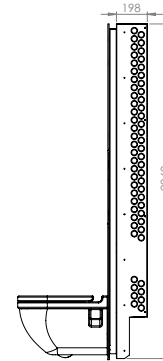
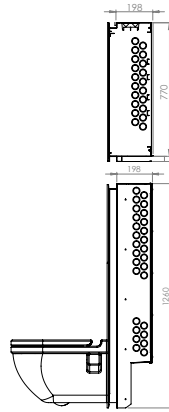
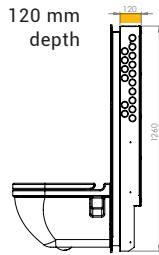




UNOPAX®
Shortcut to Excellence



Models

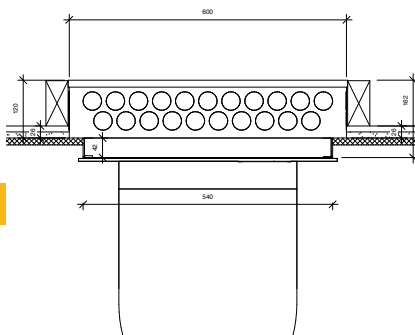


MINI SLIM

UNOPAX MINI SLIM is one of the market's smartest distribution cabinets in an extra narrow version. Made for mounting in 98mm wall (provided two layers with wallplates) ❶ Here there is room to mount the built-in cisterns, the water distribution as well as the water meter, stopcock and more. Very cost-effective and space-saving. Reduces construction depth in walls by up to 10 cm.

The cisterns, push button etc. supplied. See installation guide.

❶ UNOPAX MINI SLIM



MINI / MONO / MAXI SPLIT

UNOPAX MINI is a unique distribution cabinet where you can place the built-in cisterns, the water and heat distribution as well as the water meter and stopcock and more. Suitable for installation depth around 173mm (provided two layers of plates) ❷ Provides more space for tech.

The cisterns, push button etc. supplied. See installation guide.

UNOPAX MONO is a free-standing cabinet where you can, for example, install a shunt group for underfloor heating. MONO can be installed alone or together with MINI.

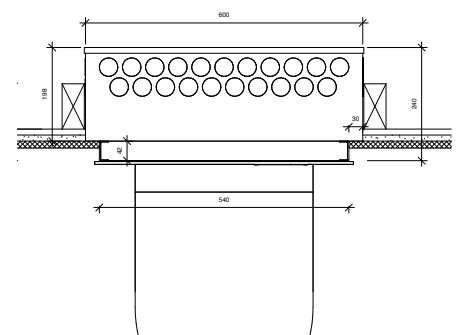
UNOPAX MAXI SPLIT is a combination of MINI and MONO that is put together into a single cabinet.

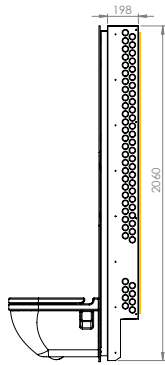
MAXI SOLID BACK

UNOPAX MAXI SOLID BACK is a unique distribution cabinet where you can place the built-in cisterns, the water and heat distribution as well as the water meter and stopcock and more. Smart solution that takes care of the technical aspects of the entire home.

The cisterns, push button etc. supplied. See installation guide.

❷ UNOPAX BACK DOOR

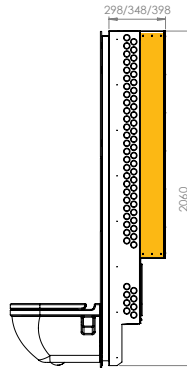




MAXI BACKDOOR

UNOPAX MAXI BACKDOOR is a unique distribution cabinet with a back door. Here there is room to mount the built-in cisterns, the water and heat distribution as well as the water meter and stopcock and more. UNOPAX MAXI BACKPACK is a unique distribution cabinet where you can place the built-in cisterns, the water distribution as well as the water meter and stopcock and more. When the pipe supply becomes too large (32mm-56mm insulated) in the shaft, we recommend using BACKPACK. All potential leakage points are secured in the cabinet, so you avoid external alarms.

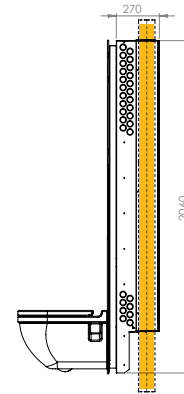
The cisterns, push button etc. supplied. See installation guide.



MAXI BACKPACK

UNOPAX MAXI BACKPACK is a unique distribution cabinet where you can place the built-in cisterns, the water and heat distribution as well as the water meter and stopcock and more. When the pipe supply becomes too large (32mm-56mm insulated) in the shaft, we recommend using BACKPACK. All potential leakage points are secured in the cabinet, so you avoid external alarms.

The cisterns, push button etc. supplied. See installation guide.



Drains are led through

MAXI 300 SHAFT

UNOPAX MAXI 300 SHAFT is a unique series of solutions for building small, efficient shafts, so that real marketable square meters in the building increase. Here there is also space to mount the built-in cisterns, the water and heat distribution as well as the water meter and stopcock and more. Area-saving solution that will provide cost-effective projects. Very suitable for renovation. MAXI 300 SHAFT is available as a stand-alone model.

The cisterns, push button etc. supplied. See installation guide.

UNOPAX®
Shortcut to Excellence

17





1

14

4

11

12

3

5

16

10

2

6

15

7

8

18

9

19

13

Colors

UNOPAX distribution cabinets are also a delicate design element that gives the bathroom a boost.

Cabinets in many gorgeous finishes are available.

The glass fronts are delivered in white or black as standard, while other colors can be delivered by special order.





Kåre Torkelsen, business developer in Sola Bygg AS and Monja Langvik, project manager for Eplestien in Sola Bygg AS, chose our new Unopax Maxi 300 Shaft model in the apartments. To the right Skjalg Lima in the plumbing contractor Simex Rør AS.

The solution for the Eplestien project

THE NEW CABINET WITH SHAFT FROM UNOPAX STREAMLINES THE WAY WE BUILD

When the developer of the apartments in the Eplestien project in Stavanger wanted efficient and sustainable solutions, the completely new distribution cabinet with shaft solution for the drain was chosen.

Between apple trees and plant plots in the center of Tasta in Stavanger, a total of 107 apartments will be built over the next couple of years. The client, Ineo Eiendom AS, and the turnkey contractor Sola Bygg AS have emphasized innovation, sustainability and efficiency in Eplestien.

COST-EFFECTIVE PLUMBING SOLUTION

The apartments are built of solid wood and heated by underfloor waterborne heating from the district heating plant. It will be a good place to live in Eplestien. A separate app gives residents access to use joint tools, sports equipment and areas. The choice of plumbing solutions in the project is as future-oriented as the rest of the project.

- I previously worked in the plumbing industry, and gained good experiences with the smart distribution cabinets from Unopax. Collecting the water and heat distribution of a home with the

toilet cistern in a waterproof cabinet in the bathroom is innovative. This makes the plumbing installation faster, safer and more cost-effective overall, says Kåre Torkelsen, business developer at Sola Bygg AS.

EFFICIENT AND A SUSTAINABLE CHOICE FOR EPLESTIEN

For the Eplestien project, Sola Bygg AS and subcontractor Simex Rør AS chose our brand new distribution cabinet, Unopax Maxi 300 Shaft. This is a prefabricated distribution cabinet which, in addition to the water and heat distribution, has a shaft for the drain.

- The total calculation with the purchase of goods and installation shows that using Unopax's distribution cabinets is both faster and a more cost-effective solution than building in the traditional way. With the experience we have from projects like this, we have helped to improve practical details in the new shaft model, says Skjalg Lima, general manager at the HVAC contractor Simex Rør AS in Stavanger.

RELEVANT FOR YOUR PROJECT?

Contact us!

+47 47 87 07 70



Installation + video guide



1. Mounting in wall posts



2. Secure right debt



3. Blocking to pipes




4. Installation of rubber gaskets



5. Mounting of wall panels



The unopax panel is adjusted in depth in relation to the wall post and layers of wallplates

 = Be extra alert!

SEE OUR VIDEO: [HTTP://UNOPAX.NO/MONTERING](http://unopax.no/montering) 





UNOPAX distribution cabinets are easy to install. See description below and the installation video on our website unopax.no/montering

6. All cabinet screws must be fitted

7. Mounting of Cistern

8. Membrane is mounted

9. Bottom glass, small and large glass door are installed

10. Mounting of toilet



1 Remember screws on backside bottom of panel



UNOPAX®

Shortcut to Excellence

info@unopax.no
www.unopax.no
+47 47 87 07 70

Visiting address:
Holthesvei 2
4848 Arendal

Mailing address:
Bjørnstadmyra 7
1712 Grålum